

User Manual

ZTE MF636 USB Modem

Windows platform

Check your system requirements

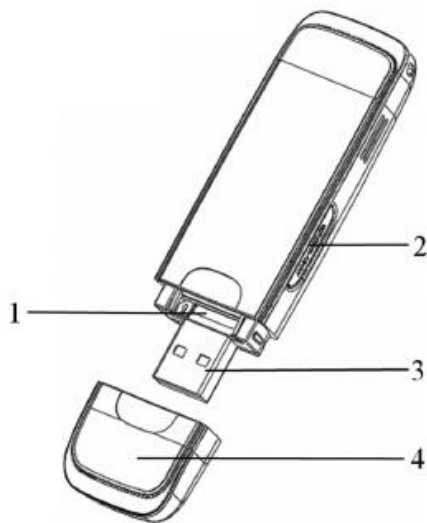
1. USB port x 1 (USB 1.0 or 2.0)
2. System Requirements:
 - a. PC - Windows 2000 / XP / Vista
 - b. Mac - OS X 10.4.11 and above
 - CPU** 1GHz Pentium or above
 - Hard Disk** 20GB or above
 - RAM** 512M or above
 - Display** 800 x 600 minimum
3. You need to have **Administrator** rights on the PC you wish to install and run the software
4. We suggest you switch off your anti-virus software before installing the USB modem. In some cases protection software can prevent automatic installation. It is possible to start the installation process manually by clicking the Autorun icon when it appears.

Tip

Remember to keep your plastic SIM card holder. It contains your PIN number which you may need later.

Get to know your MF636 USB Modem

1. SIM Holder (thumb catch to open the tray)
2. MicroSD™HC Card Slot
3. USB Connector
4. Modem Cover

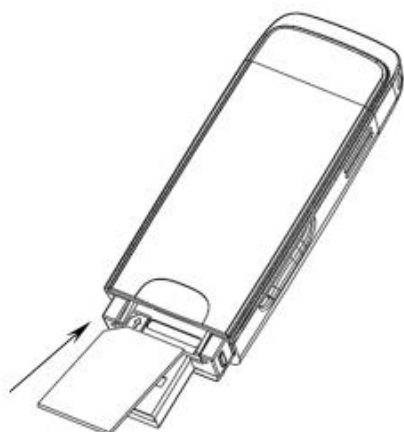


Tip

Before inserting the modem into your computer, please power on your computer and wait until the operating system is fully loaded.

Insert your SIM Card

1. Open the modem cover and slide out the SIM tray using the thumb catch.



2. Insert the SIM card as shown with the gold contacts facing down and the beveled edge on the left hand side.

3. Push the SIM card in **as far as it will go**.

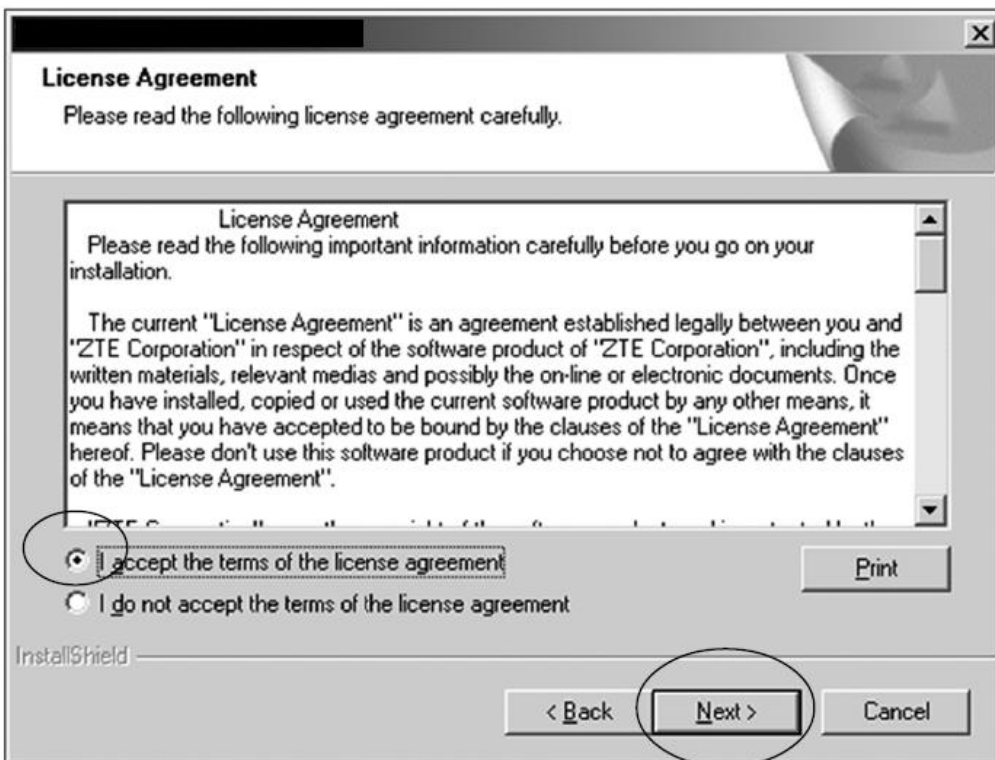
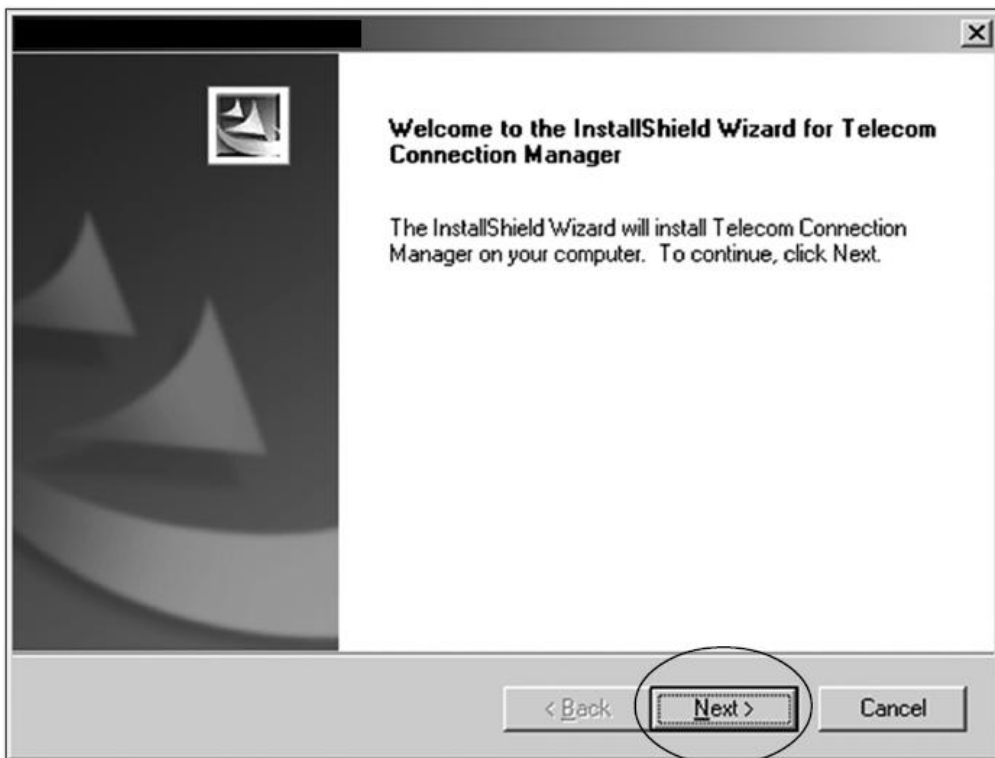
Note: When correctly inserted the thumb catch on the SIM tray is visible and not covered by the SIM card.

Insert the modem into your computer

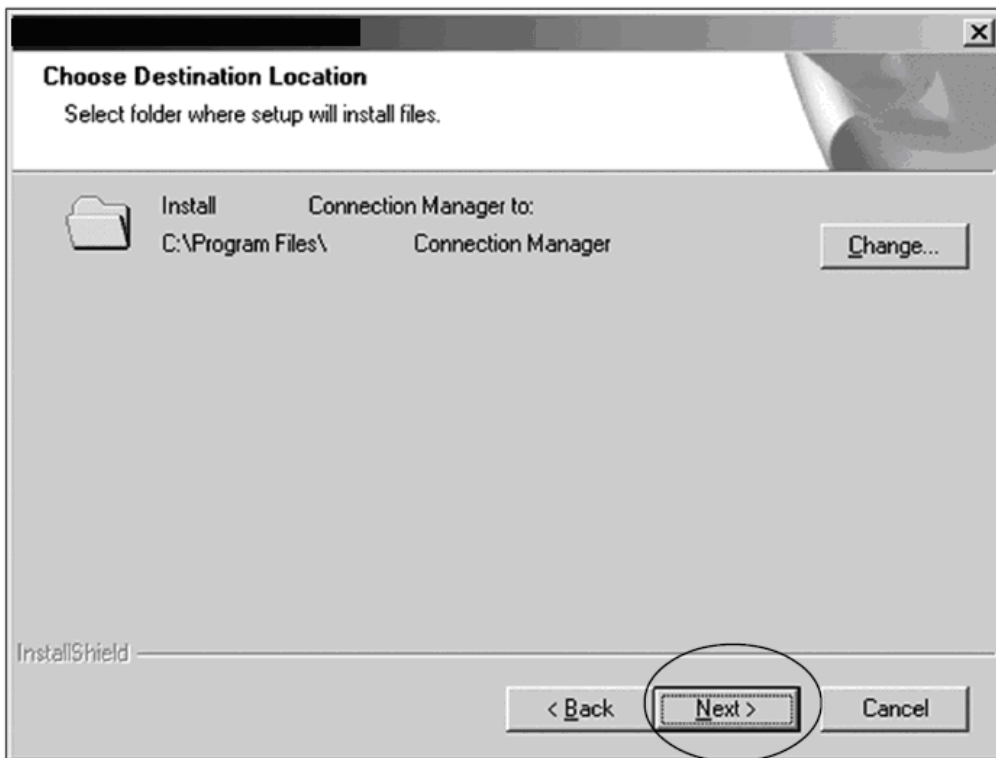
The installation and management software is pre-loaded onto your USB modem. Simply insert your modem into your computer and follow the instructions on-screen. You'll be up and connected in about 5 minutes. The USB modem is a Plug and Play device. Once inserted your system will automatically detect the new hardware and start to install the software. Be patient as it may take some time for your computer to recognize the modem. If nothing happens your system configuration may be preventing Autorun.

Tips to resolve

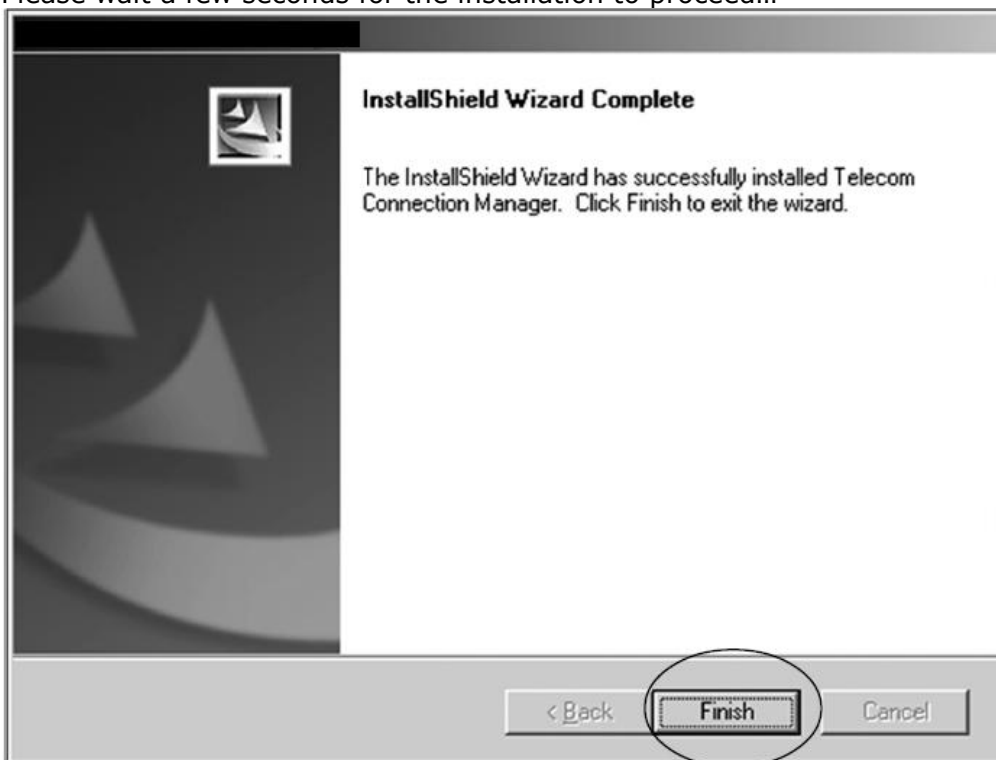
Double click the Autorun icon to start the software installation. (Start > My Computer > ZTEMODEM > Autorun.exe). The installation method for Windows XP:



Read the license agreement, choose 'I accept...', then click **Next** to continue...
Press **Next** to accept the default folder location, or press **Change** to define your own path.



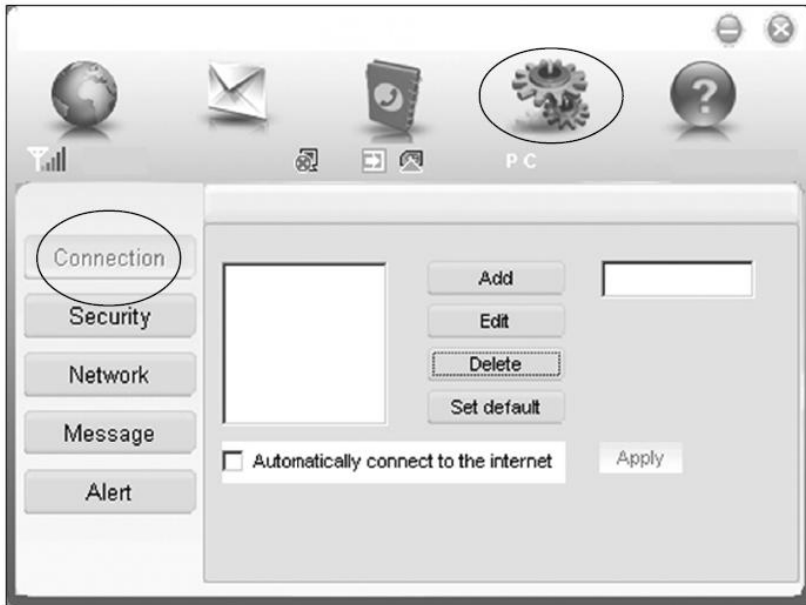
Please wait a few seconds for the installation to proceed...



Click **Finish** to complete the installation.

Connection Settings

You need to put special connection settings to use internet. Click the **Settings** button to select the settings interface.



Add	Add new configuration files
Delete	Delete the selected configuration file
Edit	Edit the selected configuration file
Set Default	Set the selected profile as your default connection

Click **Add** and put settings:

APN: send.ee

User name: 3725xxxxxxx

Password: (leave blank)

Click **Set default** and **Apply**

Connect to the internet

You'll be ready to go as soon as you see the **Connect** button.



- The installation will create a new shortcut on your desktop and a new program listing under Start-Programs
- You may have to reboot your PC after installation is complete
- If you have problems with the installation please contact your supplier
- If you can't connect to the internet check your SIM card is inserted correctly.

Using your MF636 USB Modem

- Press **Connect** to establish a data connection using your USB modem
- Launch your intended application, eg web browser etc.
- When you have finished your internet or email connection remember to return to the software interface and press **Disconnect** to end your session
- When the software is minimized double click the icon on the task bar to re-open the Connection Manager.

TIP

After the computer wakes from hibernation or standby mode you may need to remove and insert the modem.

Connected State



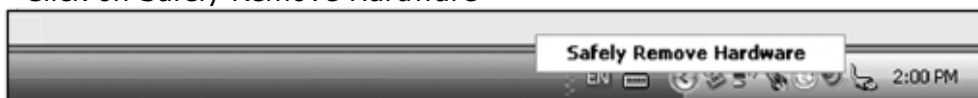
Press **Disconnect** to end your session when finished.

Safe Removal of Hardware

To remove your USB modem from the computer first close Connection Manager then use the safe removal of hardware process. If you remove the USB modem when it is active the modem software and related information (eg Phonebook records) may become corrupted.

Safely remove the modem

- Eg in Windows XP, left click the icon on the Windows taskbar
- Click on Safely Remove Hardware



- Remove the USB modem.

Using the Card Manager Software

System Icons

	Network signal strength
	Current network connection type
	Red Computer icon - internet Not Connected
	Green Computer icon - internet Connected
	Green arrow icon - modem inserted into the computer
	Red arrow icon - modem not inserted into the computer
	Orange arrow icon - modem is offline
	Green SIM icon - SIM card is inserted
	Red SIM icon - SIM card is not inserted
	Connection - P is packet switched, C is circuit switched

Task Bar Information

When you minimize the software the window will minimize to an icon on the system tray. The program is still active in the background but disappears to free your normal Windows space. Double click the task bar icon to restore Connection Manager.

The current status is also shown on the taskbar icons:

	Modem is ready to connect to Internet
	Green - Internet is Connected
	Green - Modem is inserted into the computer
	Red - Modem is not inserted into the computer
	Orange - Modem is Offline
	Red - SIM card is not inserted
	No network signal

Task bar menu

Right Click the task bar icon to access the following menu:

Device offline	Disconnect the modem from the network
Device online	Connect the modem to the network
Factory Settings	Restore the modem settings to their original values
Help	Enter the Help interface
About	View software and hardware versions
Exit	Close the software and switch off the modem